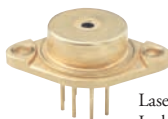
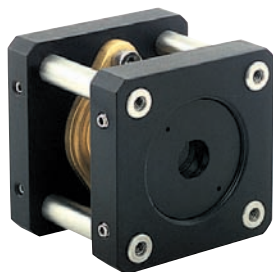


TO3 Collimation Package

LDH3-P1

Ships from Stock Assembled



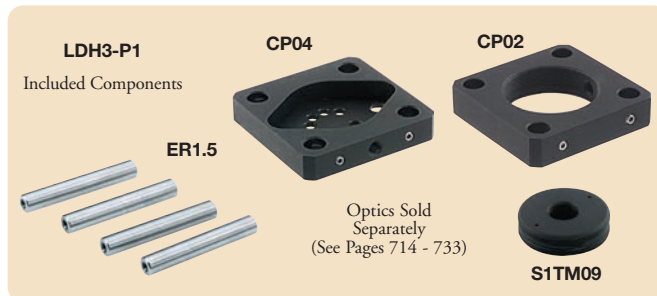
Laser Not
Included

- Ideal for Collimating High-Power Laser Diodes
- Complete Package (Shown in the Photograph Above, Laser Not Included)
- Each Unit is Shipped Assembled Less the Laser and the Aspheric Lens
- Compatible with Our Extensive Line of Ø1" SM1 (1.035"-40) Series Lens Tubes (See Page 134)
- Broad Selection of Collimation Optics (Sold Separately, See Pages 714 - 733)

The LDH3 TO3 Collimation Package can be used one of two ways. If the laser output power is low and no heat sinking is required, the laser can be mounted directly to the LDH3-P1 (as shown in the photograph). For higher power lasers or where better temperature regulation is required, the LDH3 can be mounted directly onto any heatsink that is designed to accept TO3 laser packages.

Please refer to our website for complete models and drawings.

ITEM #	METRIC ITEM #	\$	£	€	RMB	DESCRIPTION
LDH3-P1	LDH3-P1/M	\$ 122.00	£ 87.84	€ 106,14	¥ 972.34	TO3 Laser Collimation Assembly



LDH3-P1
Included Components

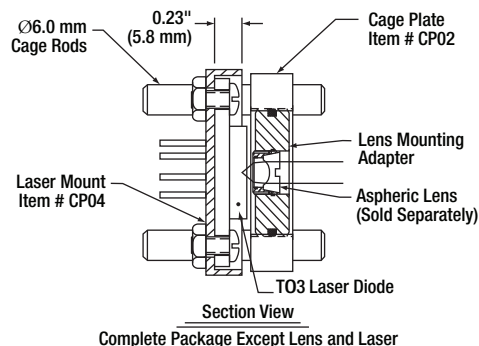
CP04

CP02

ER1.5

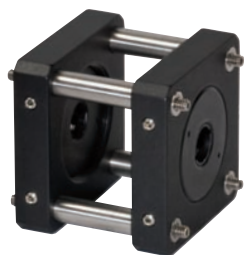
Optics Sold
Separately
(See Pages 714 - 733)

S1TM09



For Compatible Mounted Optics, See Pages 714 - 733

Ø5.6 mm and Ø9 mm Collimation Packages



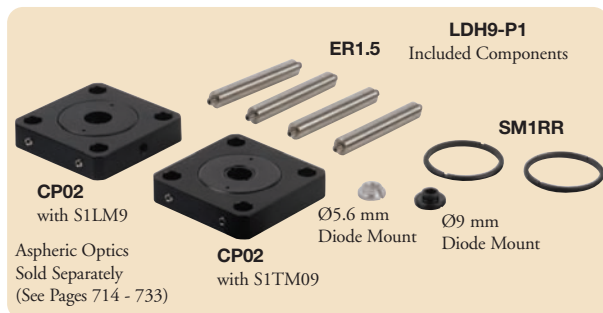
LDH9-P1

Ships from Stock Assembled

Compatible with Both
Ø5.6 mm and Ø9 mm
Laser Diode Packages
(See Pages 1214 - 1248)



- Ideal for Collimating Laser Diodes in Both Ø5.6 mm and Ø9 mm Packages
- Complete Package as Shown in the Photograph (Each Unit is Shipped Assembled Less the Laser and the Aspheric Lens)
- Compatible with Our Extensive Line of SM1 (1.035-40") Lens Tubes (See Page 134)
- Broad Selection of Collimation Optics (Sold Separately, See Pages 714 - 733)



LDH9-P1

Included Components

ER1.5

SM1RR

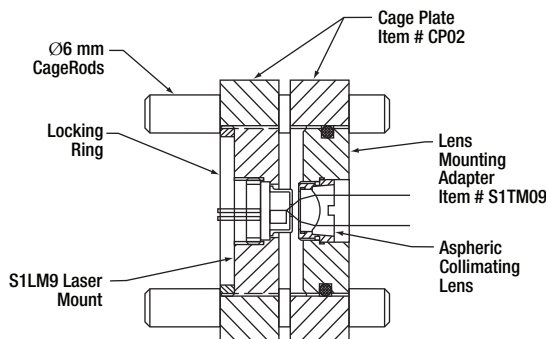
Ø5.6 mm
Diode Mount

Ø9 mm
Diode Mount

CP02
with S1LM9

CP02
with S1TM09

Aspheric Optics
Sold Separately
(See Pages 714 - 733)



For Compatible Mounted Optics, See Pages 714 - 733

ITEM #	METRIC ITEM #	\$	£	€	RMB	DESCRIPTION
LDH9-P1	LDH9-P1/M	\$ 110.00	£ 79.20	€ 95,70	¥ 876.70	Ø5.6 mm and Ø9 mm Laser Collimation Kit

Do you
need to...
Switch
from
30 mm
to 16 mm
Cage? See
page 177

SP05