

For current pricing, please see our website.

CHAPTERS

Tables/
Breadboards

Mechanics

Optomechanic
Devices

Kits

Lab Supplies

SECTIONS

Mini Series

Ø1/2" Post
Assemblies

Ø1" Post
Assemblies

Ø1.5" Post
Assemblies

Mounting/Angle
Brackets

Lab Platforms

Instrument Shelves

Lens Tubes

Cage Systems

Optical Rails

Mirror Mounts

Kinematic Mounts

Fixed Mounts

Translation Mounts

Rotation Mounts

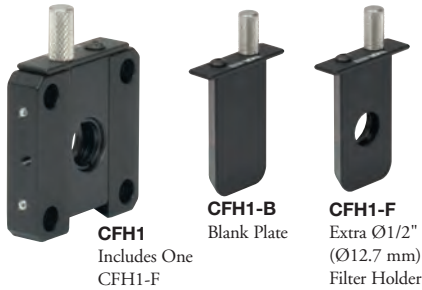
Filter Mounts

V-Mounts

Iris Apertures

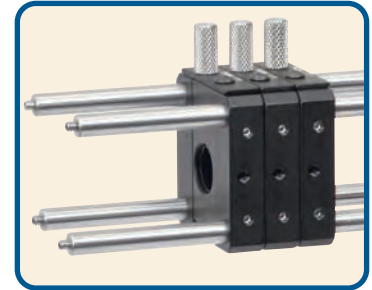
Adapters

Removable Filter Holder for 30 mm Cage



- Mounts Ø1/2" (Ø12.7 mm) Optics Up to 0.18" (4.6 mm) Thick
- Easy One-Handed Operation
- Spring-Loaded Dovetail Design Ensures Excellent Repeatability
- Stackable Design

Mechanical
Drawings Available on the
WEB



The CFH1 Removable Filter Holder is based on a precision, spring-loaded dovetail design, ensuring repeatable and reliable positioning. The SM05-threaded (0.535"-40) bore accepts Ø1/2" (Ø12.7 mm) optics up to 0.18" (4.6 mm) thick, which are secured using the included SM05RR Retaining Ring. The filter insert has

been redesigned to better isolate the filters from stray light. Additional CFH1-F Filter Plates can be purchased separately. Alternately, the CFH1-B Blank Plates can be used as a manual shutter or machined to suit your specific requirements.

ITEM #	\$	£	€	RMB	DESCRIPTION
CFH1*	\$ 68.60	£ 49.39	€ 59.68	¥ 546.74	30 mm Cage System, Removable Filter Holder
CFH1-F*	\$ 39.70	£ 28.58	€ 34.54	¥ 316.41	Additional Filter Plate for Ø1/2" (Ø12.7 mm) Optics
CFH1-B	\$ 35.40	£ 25.49	€ 30.80	¥ 282.14	Blank Plate

*One SM05RR Retaining Ring Included

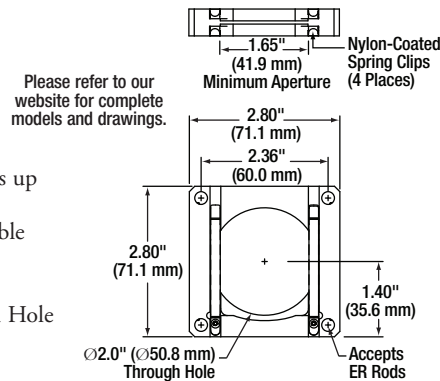
Cage Mount for 2" (50.8 mm) Square Filters



LCP05

This 60 mm Cage Plate has a Ø2" through hole designed to hold 2" (50.8 mm) square filters up to 4 mm thick. The mount is equipped with two spring clips on either side to secure a single filter or one on each side while maintaining a clear aperture. Additional features include four through holes for cage rods as well as side-located locking setscrews to hold the rods in position. For added convenience, the mount is post-mountable via the 8-32 (M4 x 0.7) tapped hole on the bottom surface.

- Holds 2" x 2" (50.8 mm x 50.8 mm) Square Filters up to 4 mm Thick
- Spring-Loaded Clips Hold Optic in Place and Enable Quick Removal
- Mounts up to Two Filters at Once
- 60 mm Cage-Compatible Plate with Ø2" Through Hole
- Post Mountable via 8-32 (M4 x 0.7) Tap



Please refer to our website for complete models and drawings.

LCP05
Diffused LED
Condenser
(Components Sold Separately)



ITEM #	\$	£	€	RMB	DESCRIPTION
LCP05	\$ 78.50	£ 56.52	€ 68.30	¥ 625.65	60 mm Cage Mount for 2" Square Filters up to 4 mm Thick
LCP05/M	\$ 78.50	£ 56.52	€ 68.30	¥ 625.65	60 mm Cage Mount for 50 mm Square Filters up to 4 mm Thick

Polaris™
Pointing the Way to Precision Alignment

- Heat-Treated Stainless Steel Minimizes Temperature-Dependent Hysteresis to Less than 2 µrad Deviation after Temperature Cycling
- Matched Actuator Pairs Reduce Drift and Backlash
- Sapphire Seats Ensure Long-Term Durability

For more details, see page XXX



POLARIS-K1



POLARIS-K05



POLARIS-K1-H

Mechanical and Temperature Test Data
at www.Thorlabs.com