

For current pricing, please see our website.

CHAPTERS

Optical Elements

Polarization Optics

Optical Isolators

Optical Systems

Optics Kits

SECTIONS

Spherical Lenses

Achromatic Lenses

Aspheric Lenses

Cylindrical Lenses

Mirrors

Spectral Filters

ND Filters

Beamsplitters

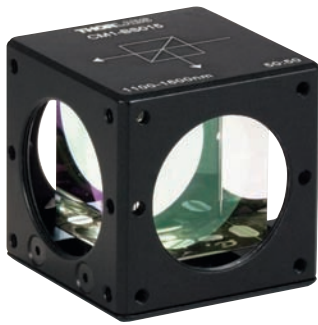
Prisms

Gratings

Windows

Diffusers

# Cube-Mounted Polarization-Insensitive Beamsplitter Cubes

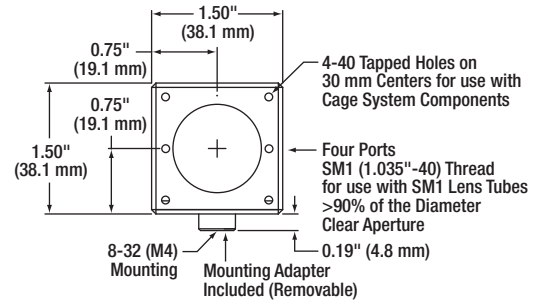


CM1-BS015



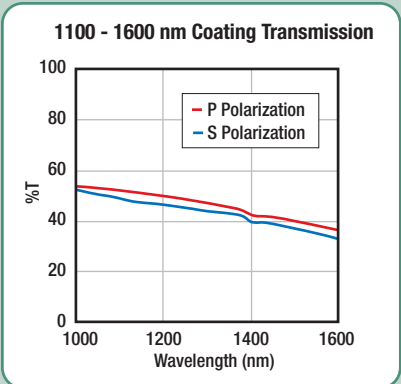
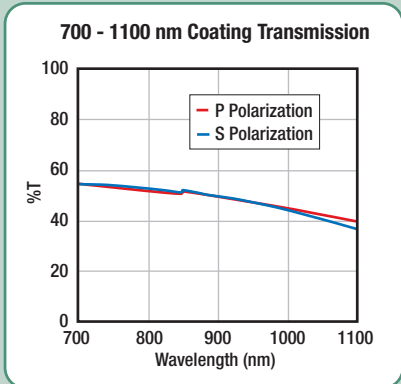
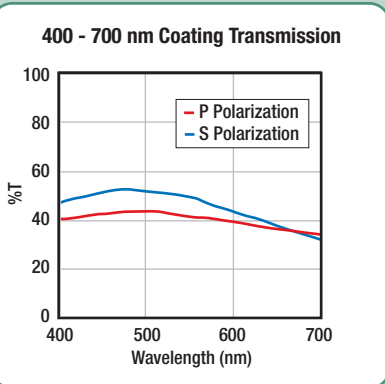
## Specifications

- **Splitting Ratio:** 50:50
- **Reflected Beam:**  $90^\circ \pm 20$  arcmin of Incident Beam
- **Lens Tube Mounting:** SM1 Series Thread (1.035"-40)
- **Cage System Mounting:** Four 4-40 Tapped Holes on 30 mm Centers on Each Input/Output Face



Please refer to our website for complete models and drawings.

We have taken our most popular 1" cube beamsplitters and mounted them in 1.5" (38.1 mm) square cubes to reduce the time needed for prototyping, experimenting, and production. Each pre-aligned optic can be easily integrated into systems using Thorlabs' SM1 series lens tubes and 30 mm cage systems. The beamsplitters have been aligned so that the reflected portion of the beam exits the cube to within  $\pm 20$  arcmin of  $90^\circ$ . For more details about our polarization-insensitive beamsplitter cube, see page 852.



Please contact your local Thorlabs office for custom optical scans.

## Cube-Mounted Beamsplitter Cubes

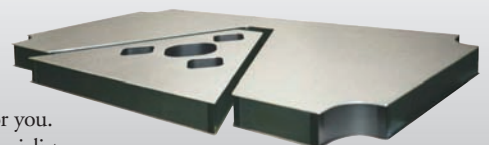
ITEM #	\$	£	€	RMB	DESCRIPTION
CM1-BS013	\$ 268.00	£ 192.96	€ 233,16	¥ 2,135.96	Polarization-Insensitive Cube-Mounted Beamsplitter, 400 – 700 nm
CM1-BS014	\$ 278.00	£ 200.16	€ 241,86	¥ 2,215.66	Polarization-Insensitive Cube-Mounted Beamsplitter, 700 – 1100 nm
CM1-BS015	\$ 291.00	£ 209.52	€ 253,17	¥ 2,319.27	Polarization-Insensitive Cube-Mounted Beamsplitter, 1100 – 1600 nm
SM1CP2	\$ 17.00	£ 12.24	€ 14,79	¥ 135.49	SM1-Threaded (1.035"-40) Port Cover

## Have you seen our...

# Custom Tables and Breadboards

### Custom Capabilities

If you do not find an optical table or breadboard in the size or shape you need, we can build one for you. Contact your local technical support office early in your development program, and our product specialists will work with you to provide an optimal, cost-effective, custom solution. See page 58 for more information, or call and speak with one of our local Technical Support Specialists.



See page 58