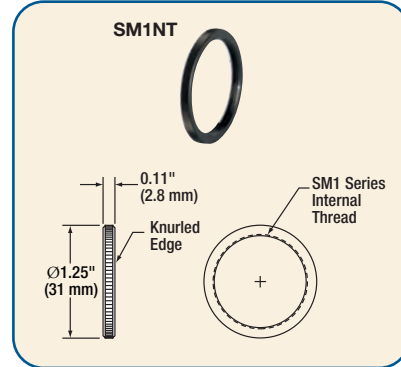
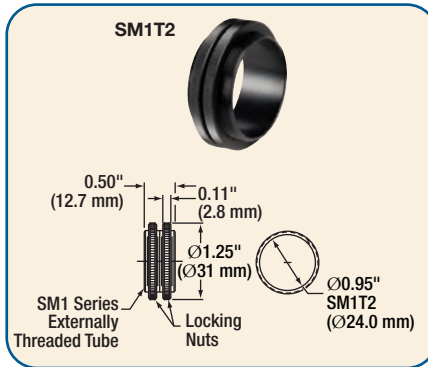
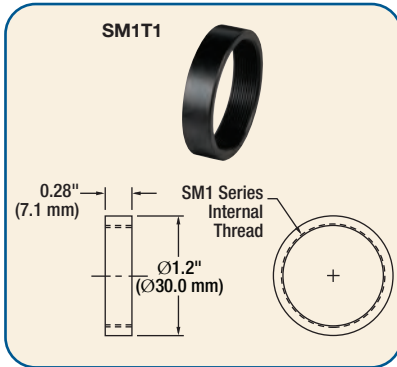


SM1 Series of Lens Tube Couplers

- SM1T1: Connect Two Externally Threaded SM1 Components
- SM1T2: Connect Two Internally Threaded SM1 Components
- SM1NT: Limit the External Thread Depth of an SM1 Component

Also Available
in Ø1/2",
Ø2.00", and Ø3.00"

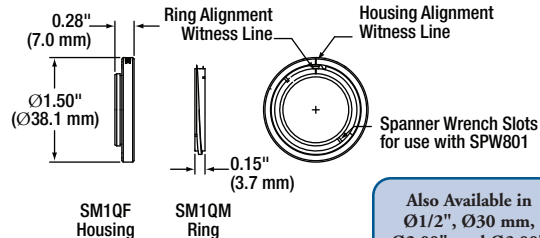


ITEM#	\$	£	€	RMB	DESCRIPTION
SM1T1	\$ 8.70	£ 6.05	€ 7,80	¥ 73.50	SM1 Coupler, Internal Threads
SM1T2	\$ 18.40	£ 12.80	€ 16,40	¥ 155.40	SM1 Coupler, External Threads
SM1NT	\$ 5.90	£ 4.10	€ 5,30	¥ 49.90	SM1 (Ø1.035"-40) Threaded Locking Nut

SM1 Series of Quick-Release Lens Tube Couplers



All Components Sold Separately



Also Available in
Ø1/2", Ø30 mm,
Ø2.00", and Ø3.00"

- Quarter-Turn Connect and Disconnect Adapters
- Lockable Design
- Easily Swap SM1-Threaded Components

By threading a male adapter onto an externally SM1-threaded component and threading the female adapter onto an internally SM1-threaded component, the components can be quickly connected. A witness line on each adapter allows them to be aligned easily.

Please refer to our website for complete models and drawings.

ITEM#	\$	£	€	RMB	DESCRIPTION
SM1Q	\$ 40.50	£ 28.10	€ 36,00	¥ 342.00	SM1 Quick-Release Adapter Set
SM1QM	\$ 22.50	£ 15.60	€ 20,00	¥ 190.00	SM1 Quick-Release Adapter, Male
SM1QF	\$ 22.50	£ 15.60	€ 20,00	¥ 190.00	SM1 Quick-Release Adapter, Female

IR Viewing/Alignment Disk



- Use in the 400-640 nm and 800-1700 nm Wavelength Ranges
- Slow Fading Phosphor
- Constant Emission for Viewing CW Beams
- Threaded for use with Our SM1 Series and Cage Assembly Products

SM1 Threads
Rubber O-Ring Holds IR
Viewing Surface in Place

ITEM#	\$	£	€	RMB
VRC2SM1	\$ 76.50	£ 53.10	€ 68,00	¥ 646.00

Alignment Disk



SM1A7
Threads into
any SM1
series lens
tube or
component.

The SM1A7 is engraved with a graduated cross-hair target, providing a useful alignment tool when building optical assemblies using our SM1 series products.

The SM1A7 is threaded to fit into any product with SM1 threads.

ITEM#	\$	£	€	RMB
SM1A7	\$ 24.00	£ 16.70	€ 21,40	¥ 202.70